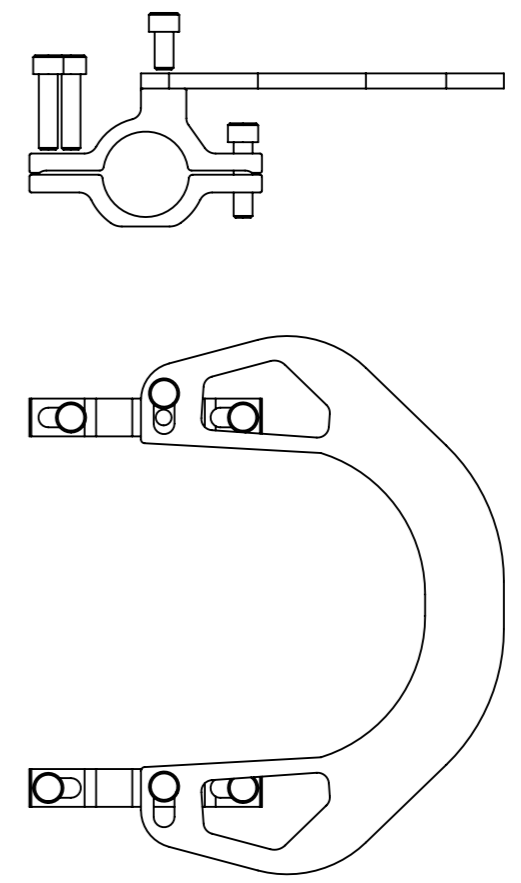
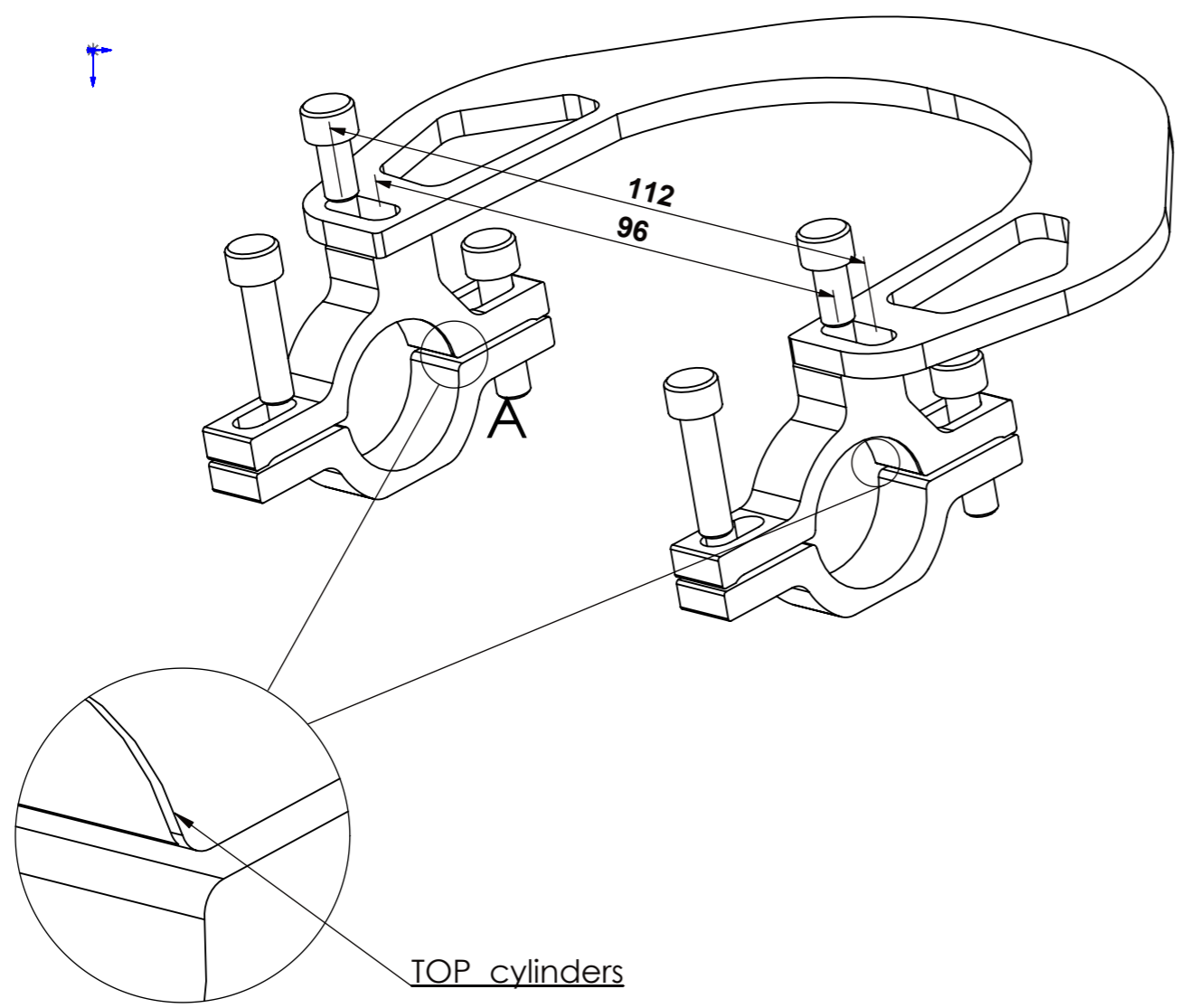


N° ELEMENT	DESCRIPTION	MATERIAL	CANT.
1	E-CLAMP_INF	AL-7075	2
2	E-CLAMP	AL-7075	2
3	GORILA_1	AL-7075	1
4	TORNILLO M5 X 10	STAINLESS STEEL	2
5	~\$TORNILLO M5 X 20	STAINLESS STEEL	4



MINIMUM 96mm
 MAXIMUM, 112 mm
 THE BOOSTER IS INDEPENDENT OF THE CLAMPS
 IS COMPATIBLE WITH 20" AND 26"

	CONJUNTO		01		
MARCA	DENOMINACION		CANTIDAD	MATERIAL	TRATAMIENTO
	Nombre	Fecha	GORILA		
Dibujado	J. CARLOS	00-00-00			
Comprobado		00-00-00			
Escala	1:1	DIN A-3	N° PLANO		
 MTB / BMX / BIKETRIAL			REF. CLIENTE		
			N° CAM		
			OF- M.J.P.		
			1252		